

**B.M.S RESISTANCE INPUT MODULE  
135/1000Ω IN 0-10VDC OUT**

## ERIM

These units convert 0-135 ohm or 0-1000 ohm input to a 0-10vdc output.

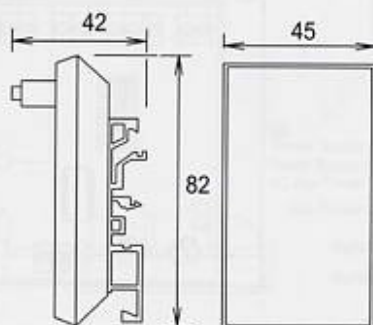


Multi-turn pot to adjust output.  
LED indication  
Max ambient -10 /+50°C  
Din-Rail mounting  
Flammability = UL94-V0

| Type      | Supply<br>±10% | Input<br>Adjustable | Output  | Consumption | Mounting | Protection |
|-----------|----------------|---------------------|---------|-------------|----------|------------|
| ERIM 135R | 24VAC/DC       | 0-135Ω              | 0-10VDC | 20mA        | Din Rail | IP00       |
| ERIM 1K   | 24VAC/DC       | 0-1000Ω             | 0-10VDC | 20mA        | Din Rail | IP00       |

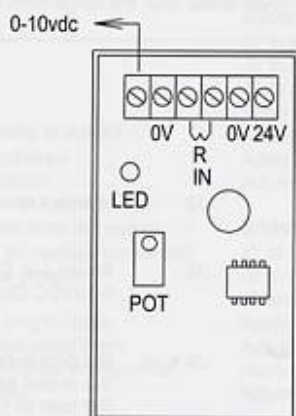
## DIMENSIONS:

## ERIM 135R/1K



## WIRING:

## ERIM 135R/1K



## INSTALLATION:

Terminals 0.5-2.5mm<sup>2</sup> rising clamps

Min sensor / control signal cable size 7/0.2mm

Screened cable is recommended

The screen should be earthed at controller end only

Keep sensor/control signal wires away from power cables/units which may cause interference.